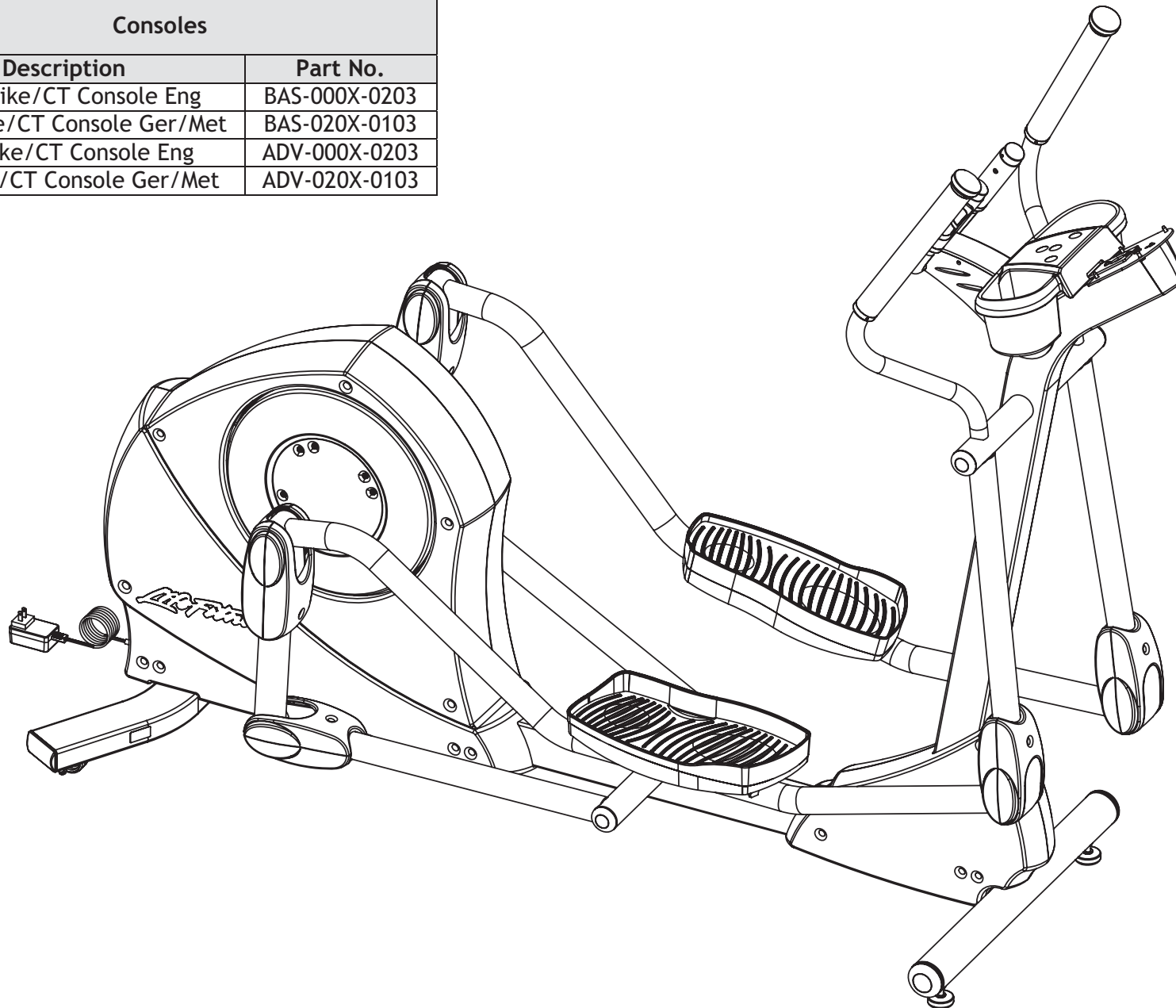


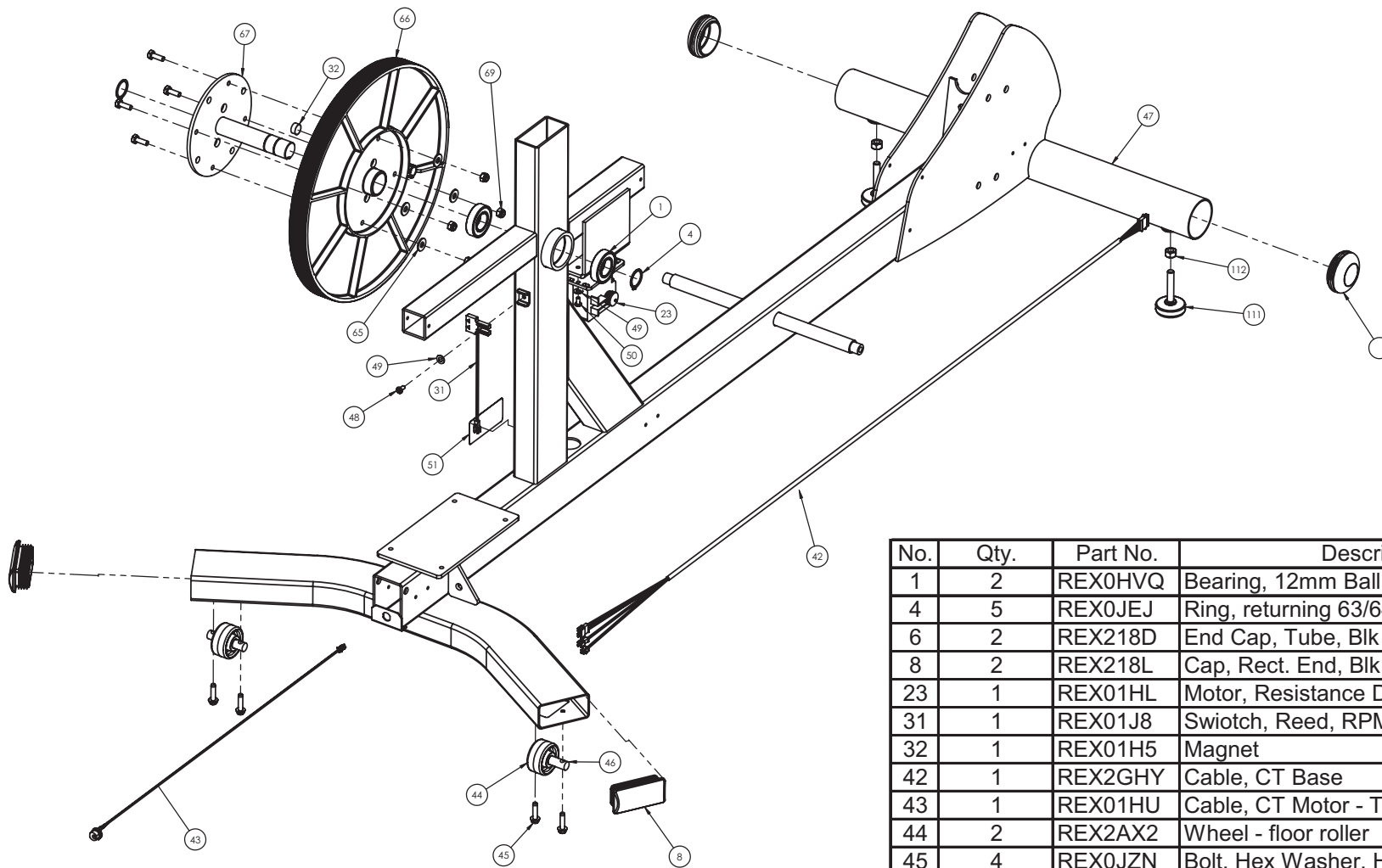
LF Cross-trainer Parts Manual

X3-XX00-0103
120V Dom. Eng/Eng

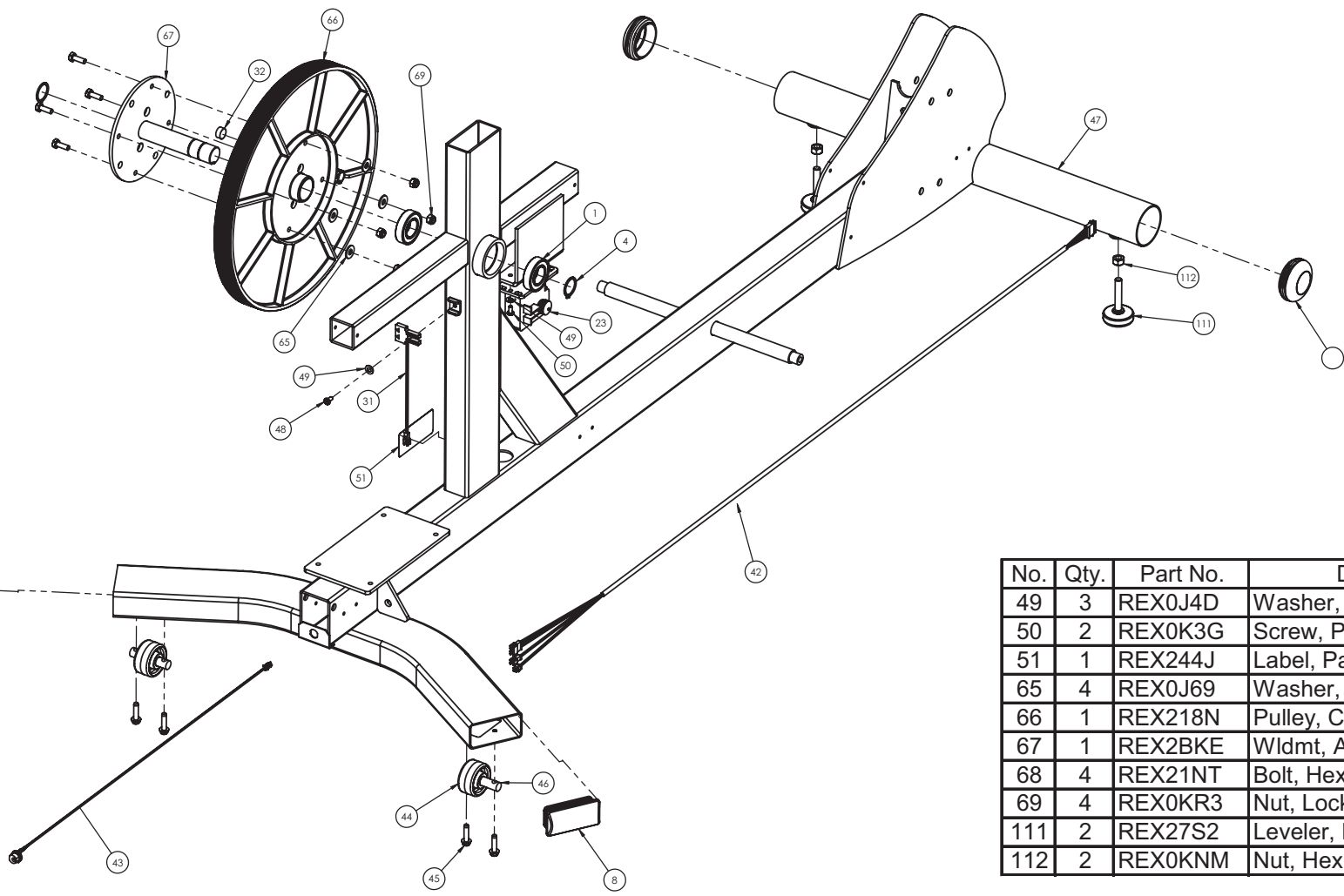
Consoles	
Description	Part No.
Basic Bike/CT Console Eng	BAS-000X-0203
Basic Bike/CT Console Ger/Met	BAS-020X-0103
Adv Bike/CT Console Eng	ADV-000X-0203
Adv Bike/CT Console Ger/Met	ADV-020X-0103



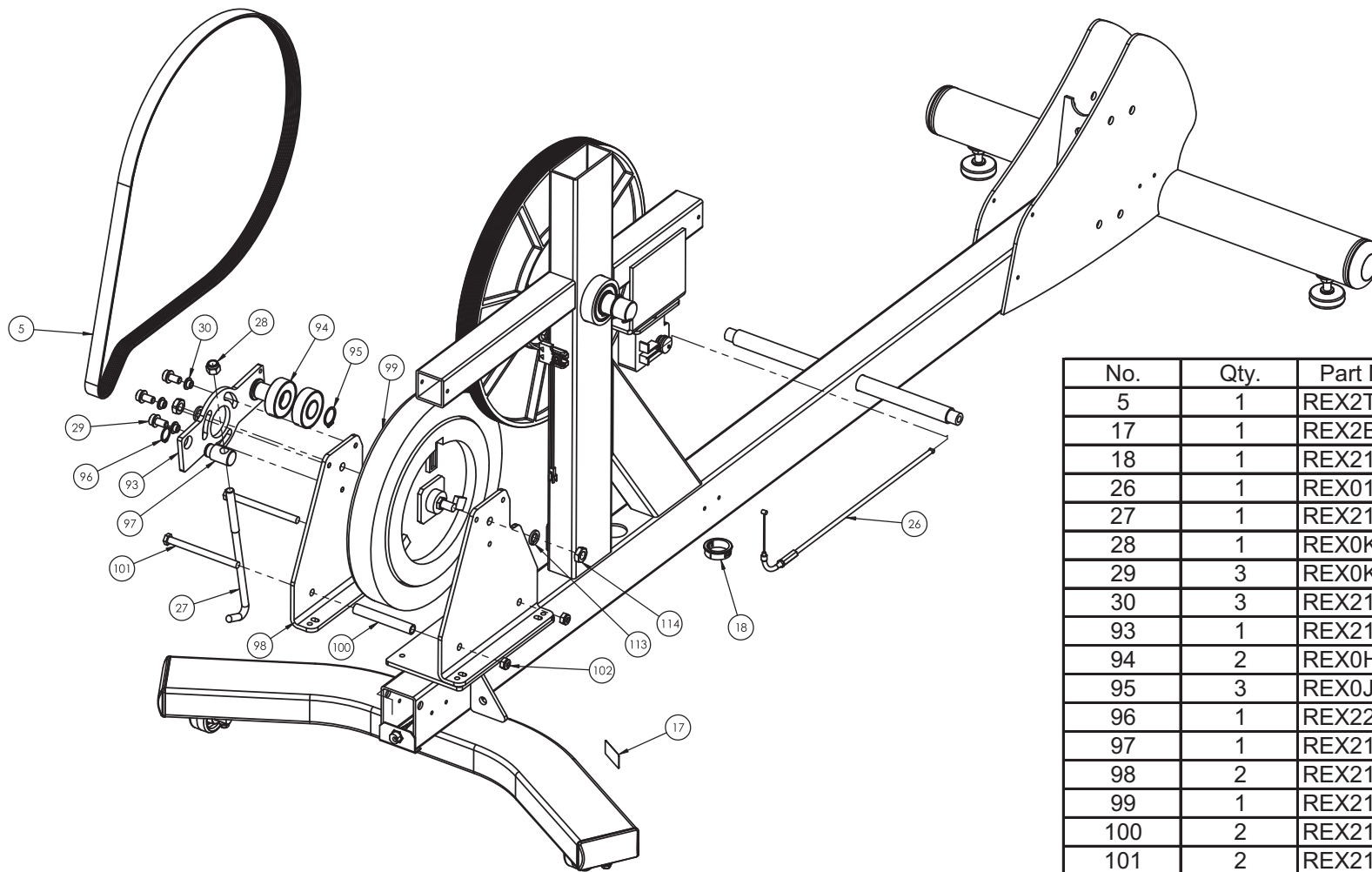
rev 18 Jan 2010



No.	Qty.	Part No.	Description
1	2	REX0HVQ	Bearing, 12mm Ball
4	5	REX0JEJ	Ring, returning 63/64
6	2	REX218D	End Cap, Tube, Blk
8	2	REX218L	Cap, Rect. End, Blk
23	1	REX01HL	Motor, Resistance DC
31	1	REX01J8	Switcho, Reed, RPM Sensor
32	1	REX01H5	Magnet
42	1	REX2GHY	Cable, CT Base
43	1	REX01HU	Cable, CT Motor - Transformer
44	2	REX2AX2	Wheel - floor roller
45	4	REX0JZN	Bolt, Hex Washer, HD M8X1.25-20
46	2	REX2AX3	Shaft, Wheel Mounting
48	1	REX0K28	Screw, Phl HD type M5X.8-16

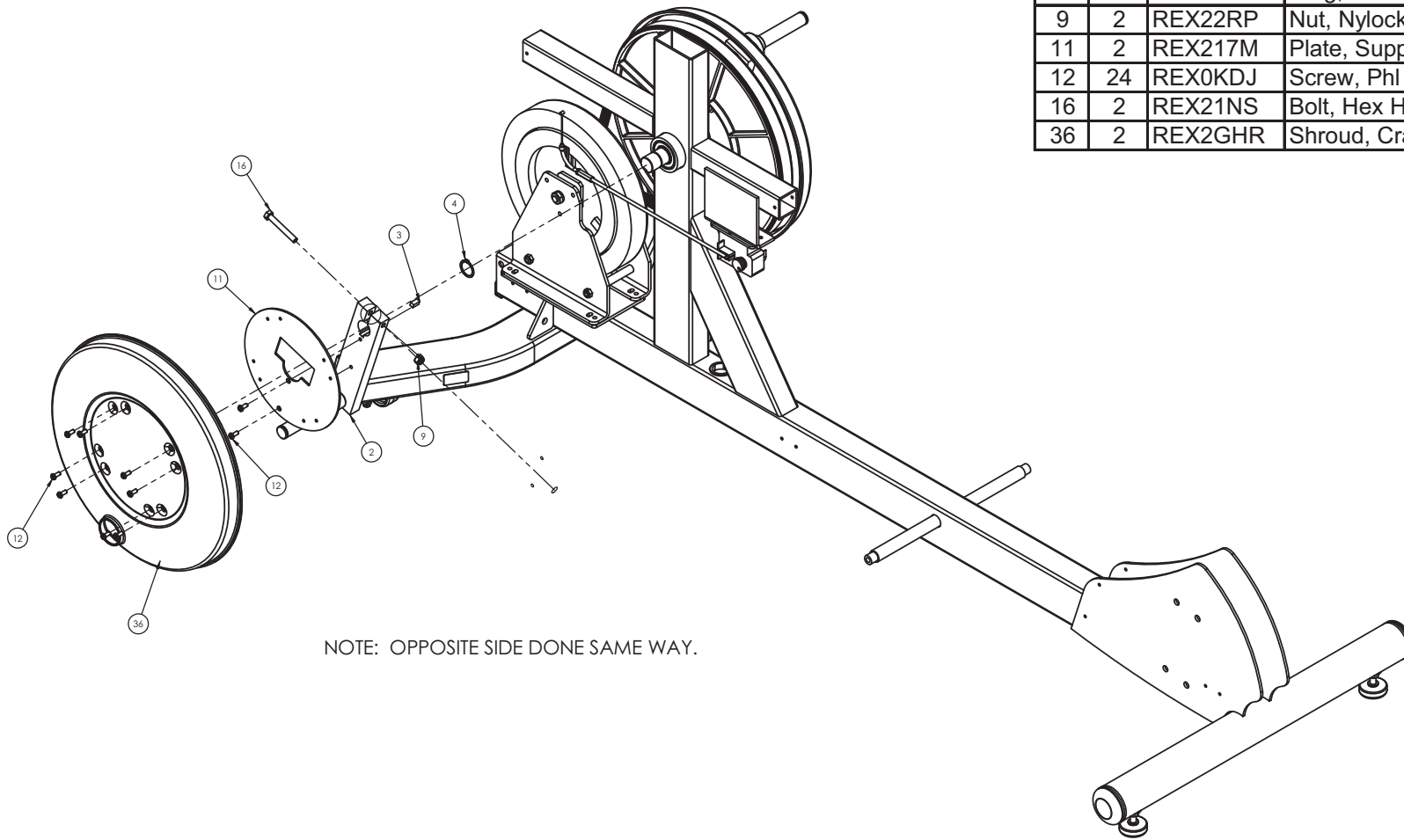


No.	Qty.	Part No.	Description
49	3	REX0J4D	Washer, flat .5X10-1
50	2	REX0K3G	Screw, Phi HD M5X.8-12
51	1	REX244J	Label, Patent
65	4	REX0J69	Washer, flat .6X13-1
66	1	REX218N	Pulley, Crank
67	1	REX2BKE	Wldmt, Axle, Crank
68	4	REX21NT	Bolt, Hex HD M6X1-20
69	4	REX0KR3	Nut, Lock, M6X1X6T
111	2	REX27S2	Leveler, Leg
112	2	REX0KNM	Nut, Hex M10X1.5-8

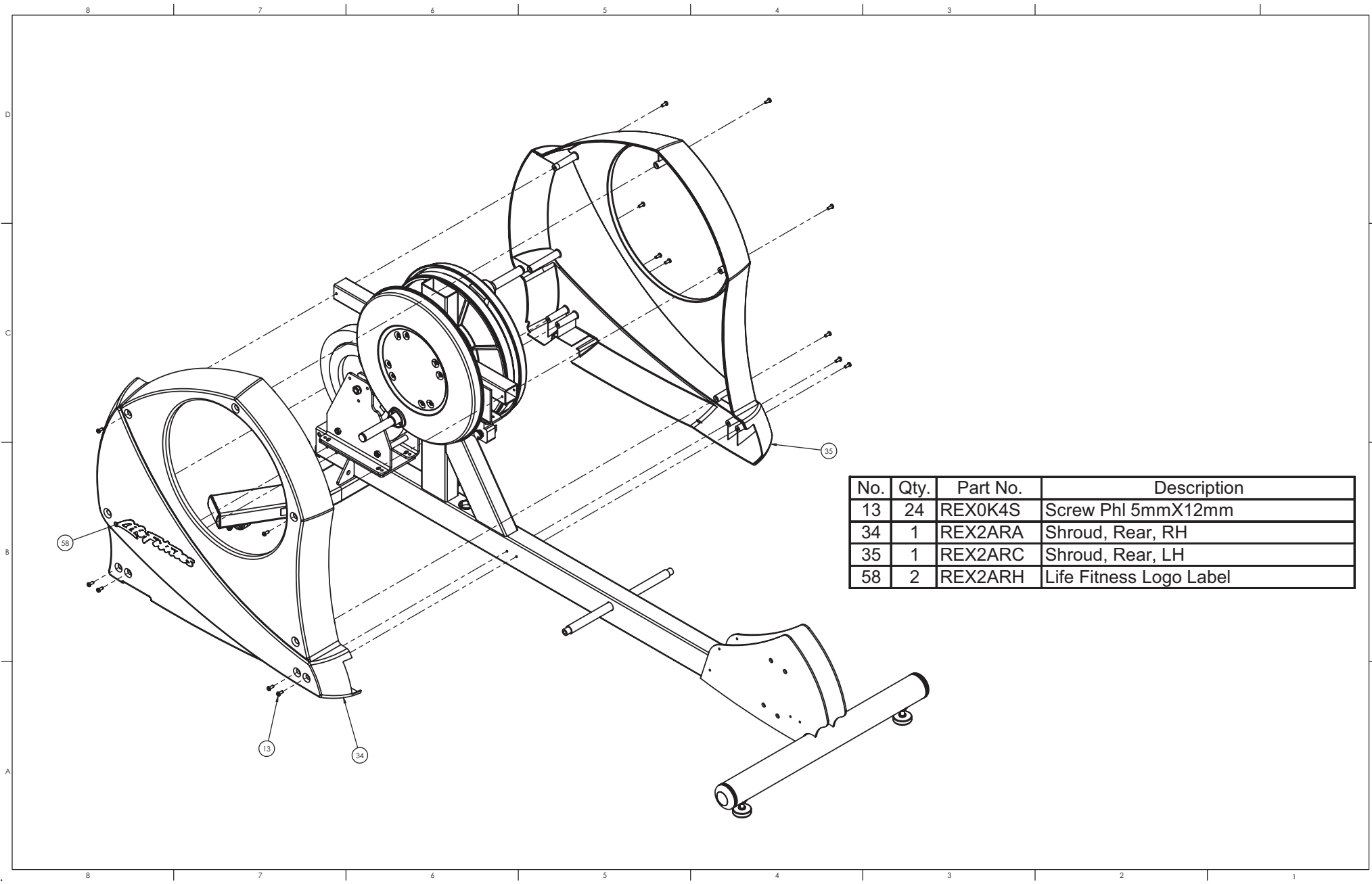


No.	Qty.	Part No.	Description
5	1	REX2T9F	Drive Belt, Poly-V
17	1	REX2BTE	Label Serial Number
18	1	REX21BF	Strain Relief
26	1	REX01QH	Cable, Brake Harness
27	1	REX21A6	Bolt, Hook Clamp
28	1	REX0KR5	Nut, Nylock
29	3	REX0K2W	Screw, SHCS Brake Mtg
30	3	REX21X8	Spacer, Tensioner
93	1	REX21AA	Brkt, Belt Tensioner
94	2	REX0HVY	Bearing, Ball 6204ZZ
95	3	REX0JEG	C-Ring A-20
96	1	REX22LR	C-Ring A-16
97	1	REX21A7	Stud, Swivel
98	2	REX21LF	Brkt, Brake Mtg
99	1	REX21BJ	Brake Assy Eddy Current
100	2	REX21LG	Spacer, Collar
101	2	REX21NP	Bolt, Hex HD M12
102	2	REX0KR0	Nut, Lock M12X75-110
113	2	REX0J93	Washer, Spring 1.0
114	2	REX20W4	Nut, Hex M10X1.5-6

No.	Qty.	Part No.	Description
2	2	REX2B8S	Weldment, Crank Shaft
3	2	REX2BKC	Key, Parallel Square
4	5	REX0JEJ	Ring, Retaining 63/64
9	2	REX22RP	Nut, Nylock M8X1.25X6MMT
11	2	REX217M	Plate, Support Cover
12	24	REX0KDJ	Screw, Phl 5mm 8X12mm
16	2	REX21NS	Bolt, Hex HD M8X1.25-55
36	2	REX2GHR	Shroud, Crank

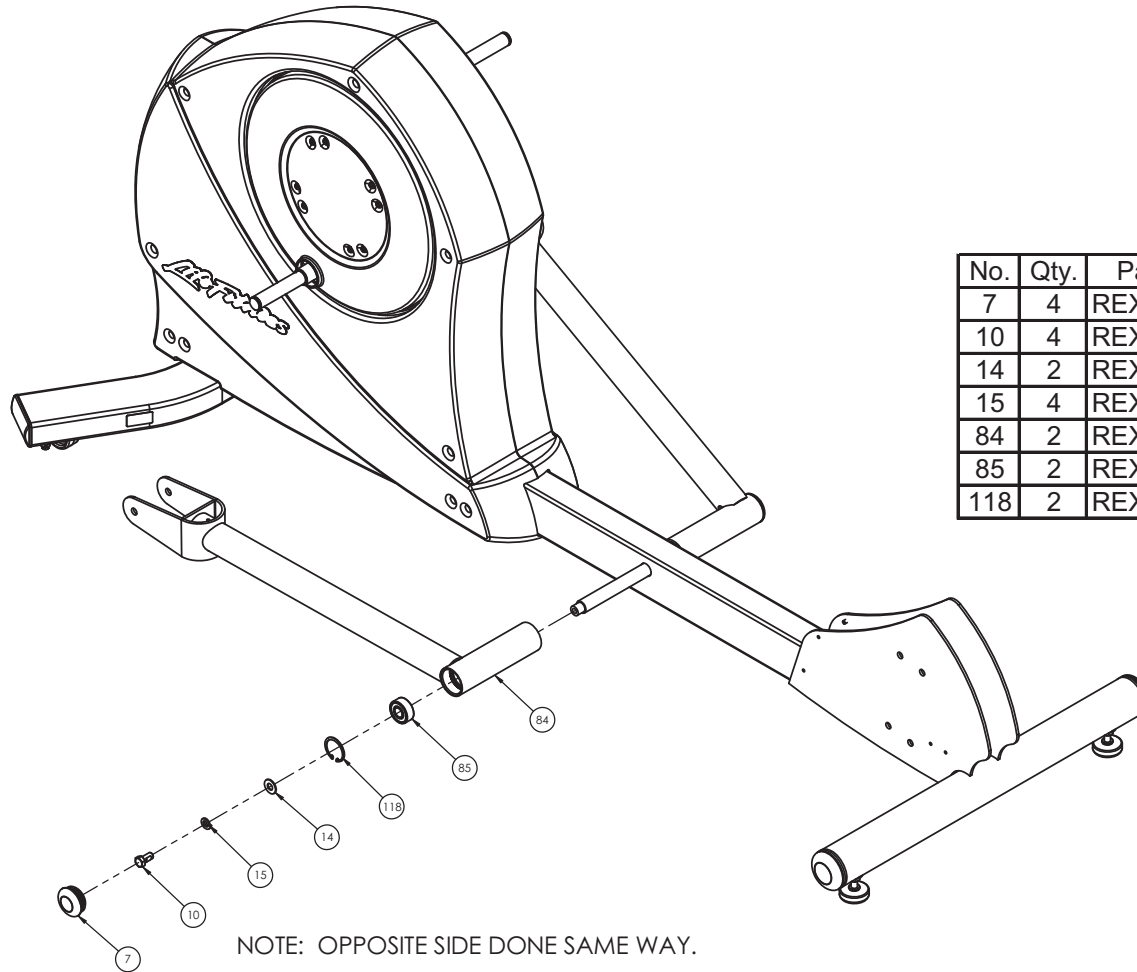


NOTE: OPPOSITE SIDE DONE SAME WAY.



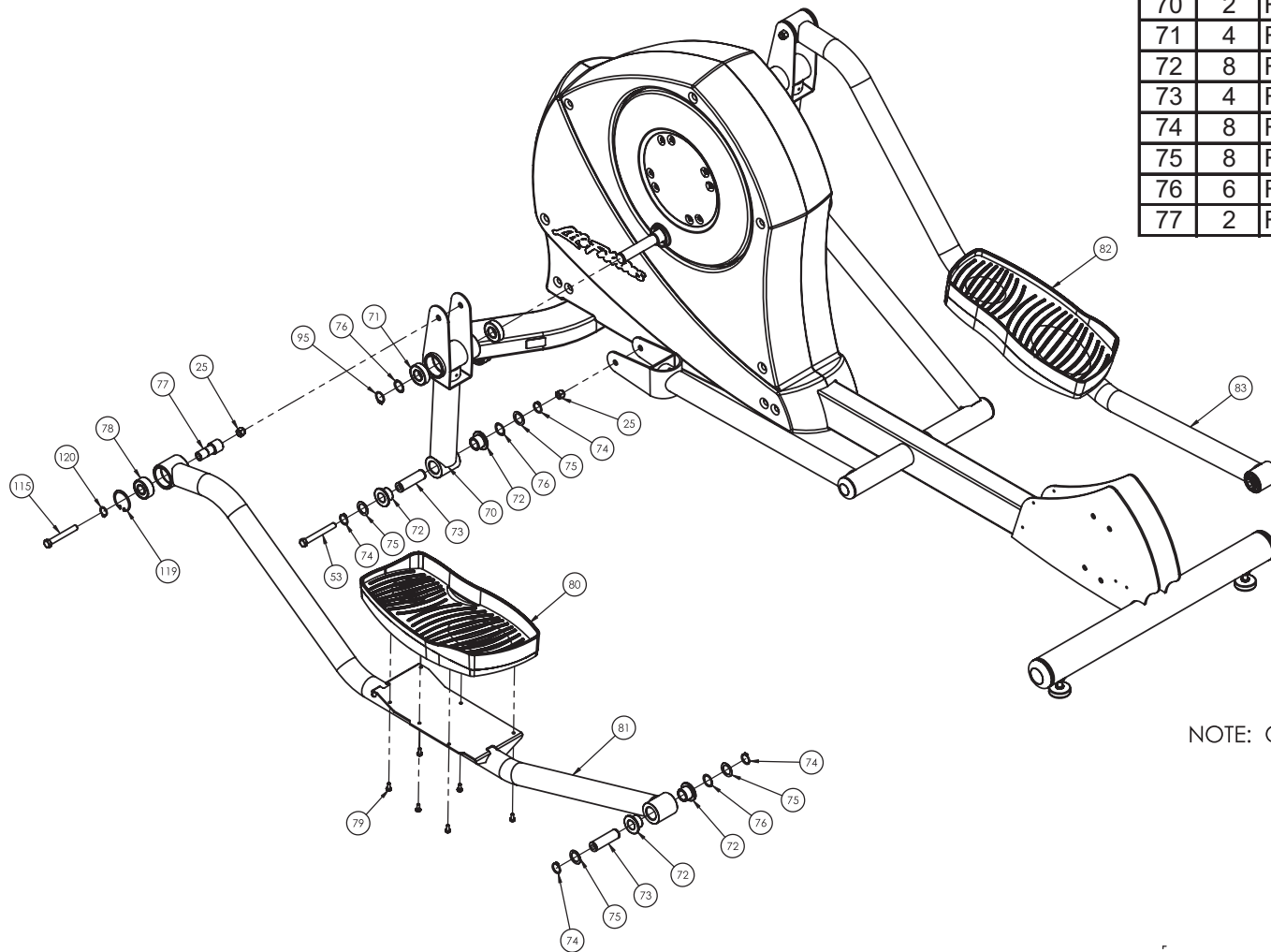
No.	Qty.	Part No.	Description
13	24	REX0K4S	Screw Phl 5mmX12mm
34	1	REX2ARA	Shroud, Rear, RH
35	1	REX2ARC	Shroud, Rear, LH
58	2	REX2ARH	Life Fitness Logo Label

Idler Coupler Assy - REX2AWK (2)

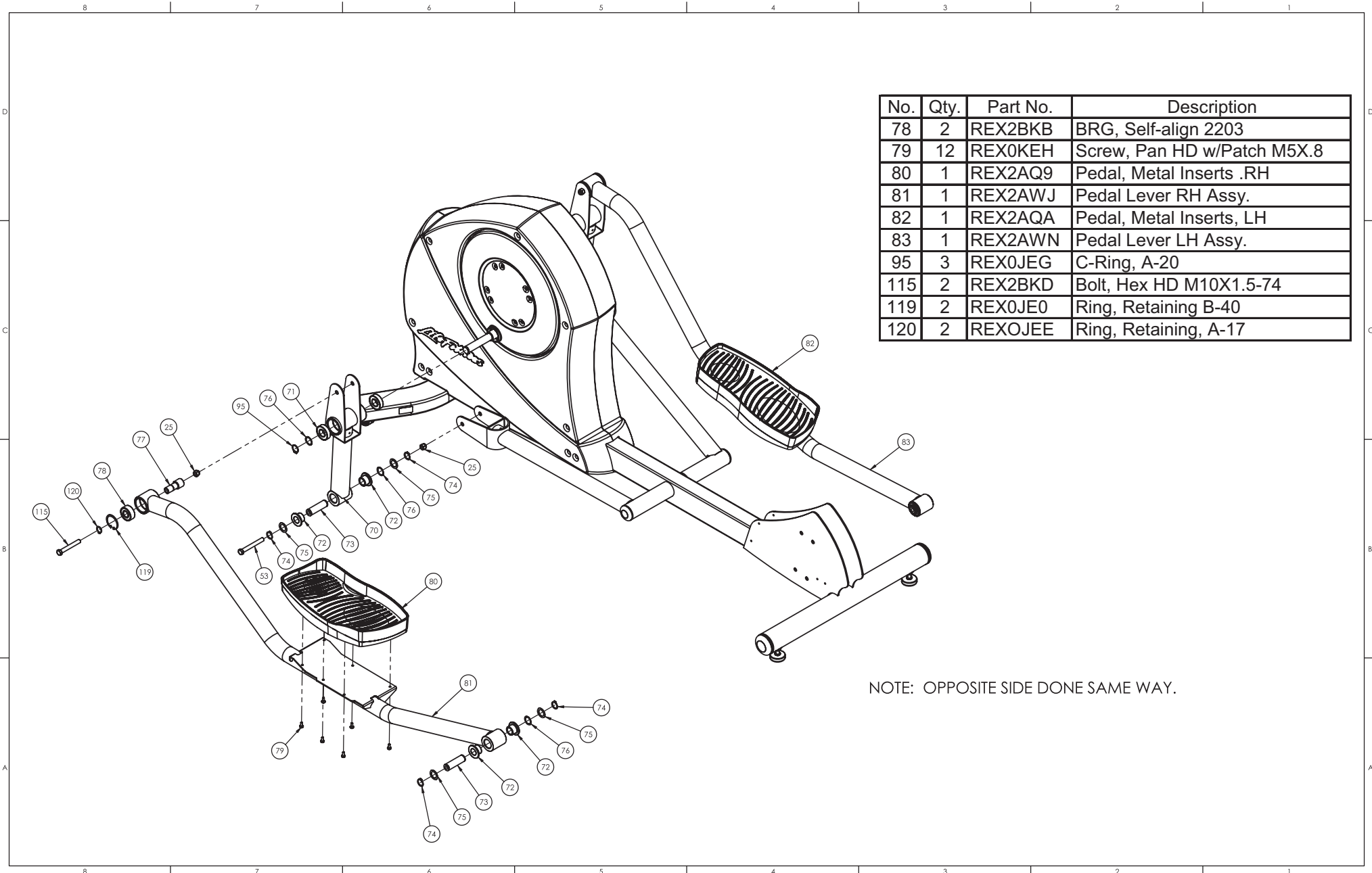


No.	Qty.	Part No.	Description
7	4	REX219H	Cap End, Blk
10	4	REX21B8	Bolt, Hex HD, M10X1.5-20
14	2	REX20TJ	Washer, Flat BX22X1.5
15	4	REX0J9C	Washer, Spring 10mmID
84	2	REX-2APZ	Wldmt, Self-Align Idler
85	2	REX2BKA	BRG, Self-Align, 2202
118	2	REX0JDZ	Ring, Retaining B-35

No.	Qty.	Part No.	Description
25	10	REX22RR	Nut, Nylock M10X1.5-8
53	4	REX21BA	Bolt, Hex HD M10X1.5-815
70	2	REX-2APY	Wldmt, Self-Align Coupler
71	4	REX0HVP	Hub, CPLR-CRNK
72	8	REX218W	BRG. FLG-Bronze
73	4	REX218U	Shaft, .744X2.537
74	8	REX0JFP	Ring, C-Retaining, A-.750
75	8	REX22B0	Washer, Flat 19.5X28-8
76	6	REX0JB7	Washer, Wave BWW6001
77	2	REX2BAD	Shaft, Coupler Pedal Conn

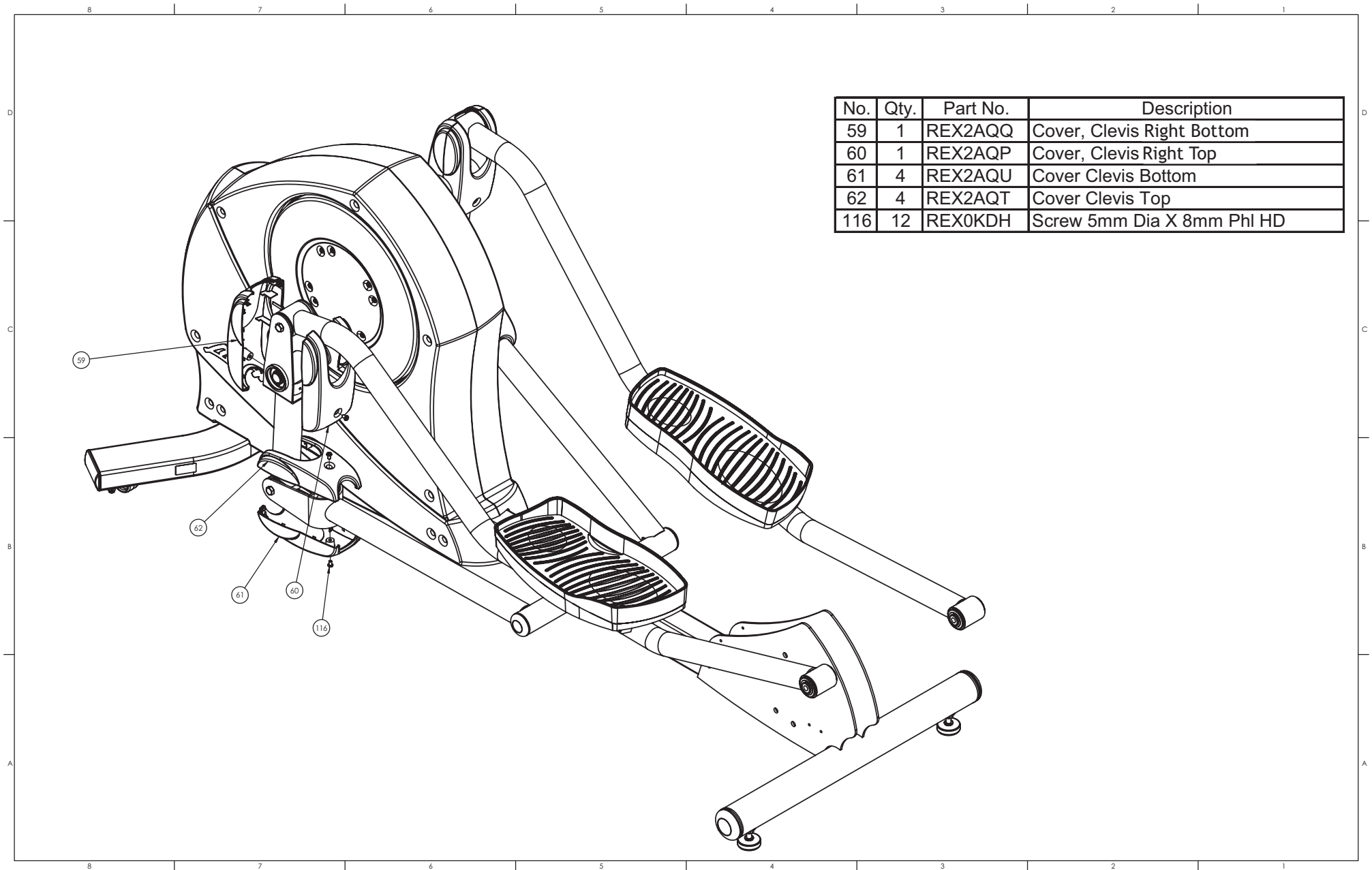


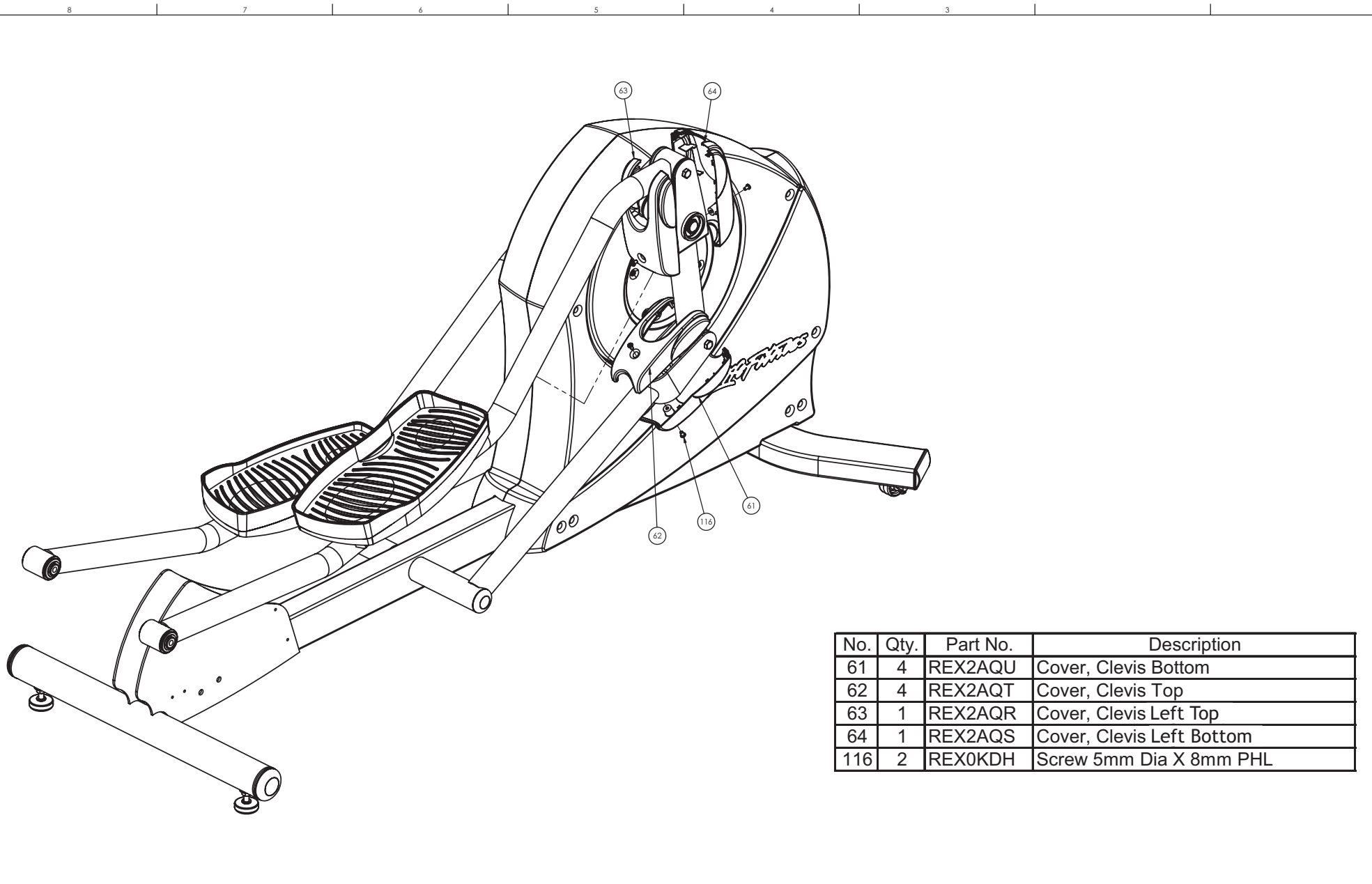
NOTE: OPPOSITE SIDE DONE SAME WAY.



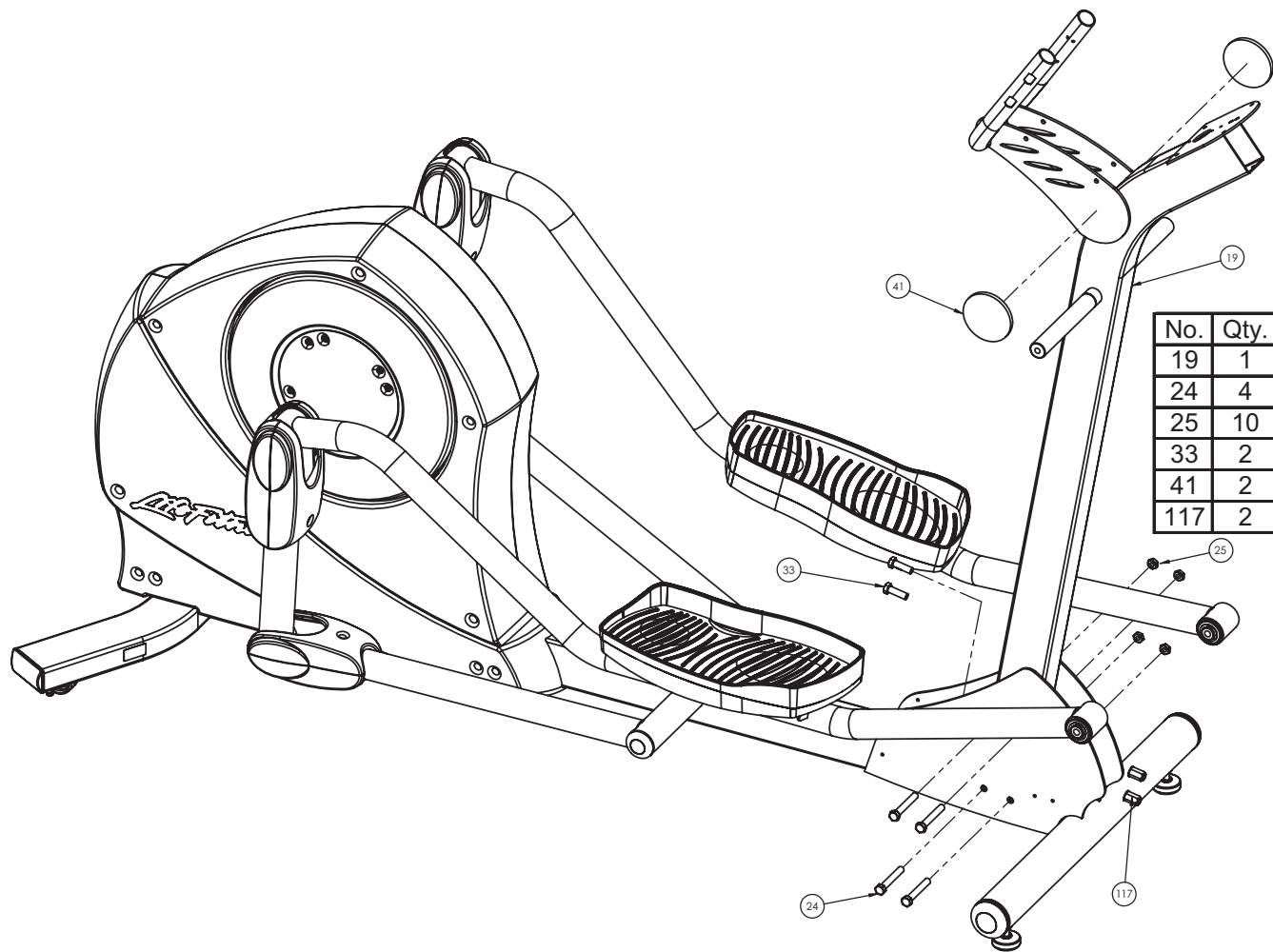
No.	Qty.	Part No.	Description
78	2	REX2BKB	BRG, Self-align 2203
79	12	REX0KEH	Screw, Pan HD w/Patch M5X.8
80	1	REX2AQ9	Pedal, Metal Inserts .RH
81	1	REX2AWJ	Pedal Lever RH Assy.
82	1	REX2AQA	Pedal, Metal Inserts, LH
83	1	REX2AWN	Pedal Lever LH Assy.
95	3	REX0JEG	C-Ring, A-20
115	2	REX2BKD	Bolt, Hex HD M10X1.5-74
119	2	REX0JE0	Ring, Retaining B-40
120	2	REX0JEE	Ring, Retaining, A-17

NOTE: OPPOSITE SIDE DONE SAME WAY.

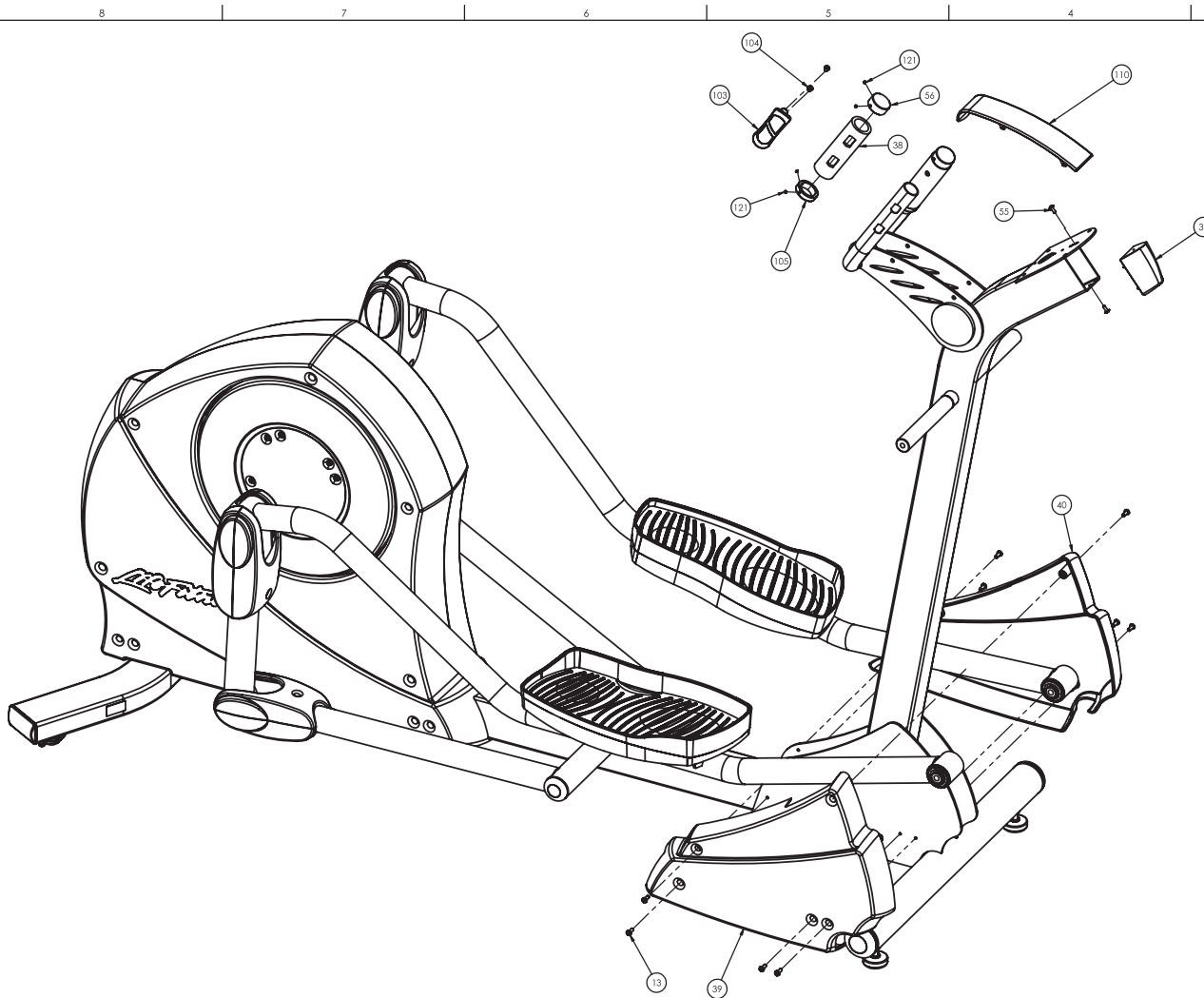




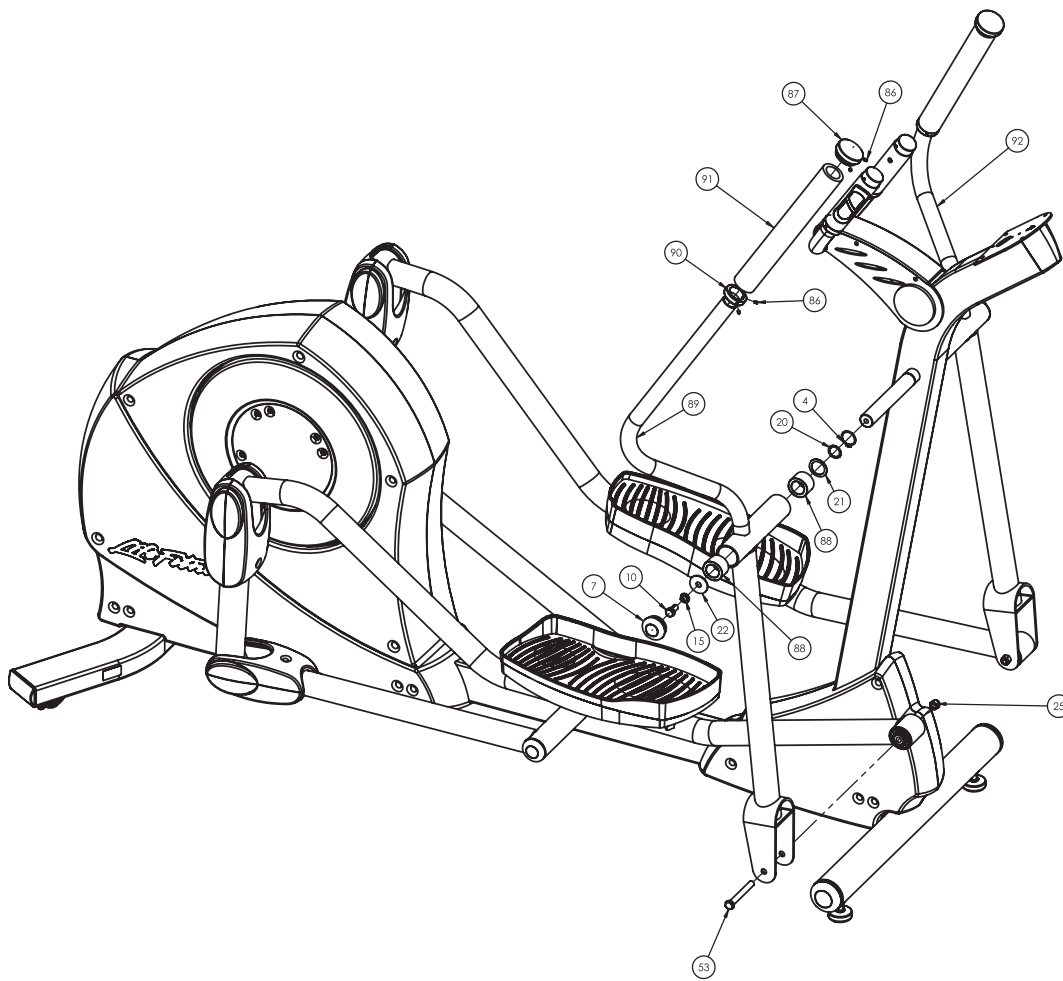
No.	Qty.	Part No.	Description
61	4	REX2AQU	Cover, Clevis Bottom
62	4	REX2AQT	Cover, Clevis Top
63	1	REX2AQR	Cover, Clevis Left Top
64	1	REX2AQS	Cover, Clevis Left Bottom
116	2	REX0KDH	Screw 5mm Dia X 8mm PHL



No.	Qty.	Part No.	Description
19	1	REX2GEC	Assembly Console Upright Mast
24	4	REX21NR	Bolt, Hex HD M10X1.5-67
25	10	REX22RR	Nut, Nylock M10X1.5-8
33	2	REX21NQ	Bolt, Hex HD M10X1.5-30
41	2	REX2GD8	Badge X3
117	2	REX21NN	Nut, Insert M10-1.5

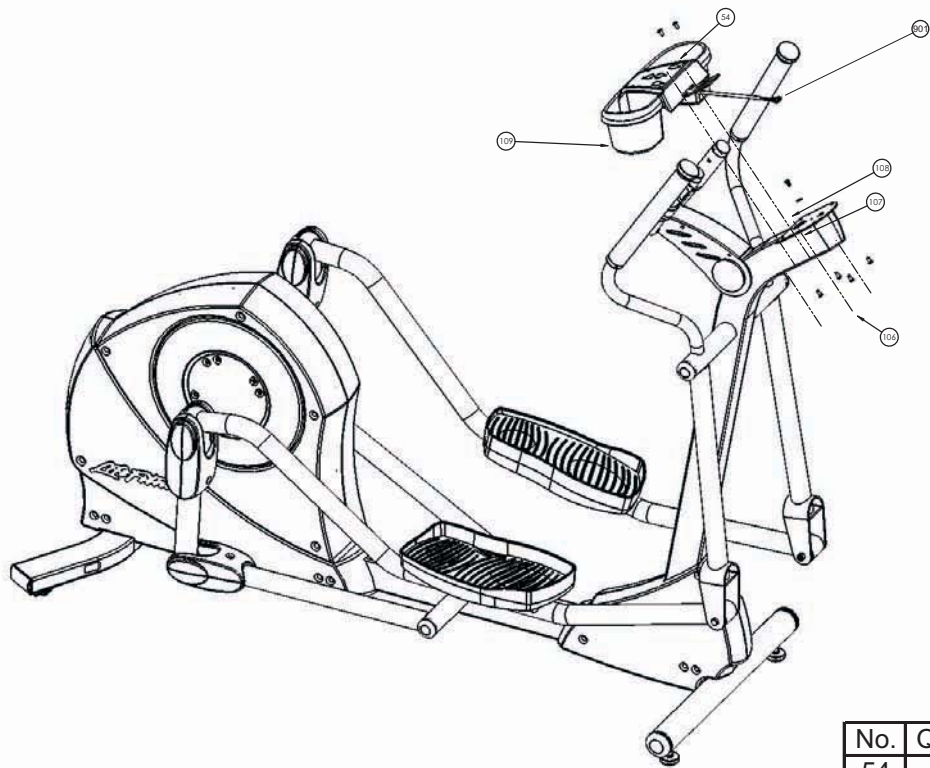


No.	Qty.	Part No.	Description
13	24	REX0K4S	Screw, Phi 5mmX12mm
37	1	REX21MV	Cap, Upright Tube End
38	2	REX2G8J	Grip, Stationary Handlebar
39	1	REX2AQ1	Cover, Front RT
40	1	REX2AQ6	Cover, Front LT
55	2	REX0KC6	Screw, Truss HD Tap M4X16-12
56	2	REX2GPA	Cap, Grip
103	2	REX2B92	Sensor, Heart Rate
104	2	REX0KC5	Screw, HR Sensor MTG
105	2	REX2G8W	Collar
110	1	REX2G7E	Cover, Grip
121	8	REX2B09	M4X.7HXS NO Cup ST BO

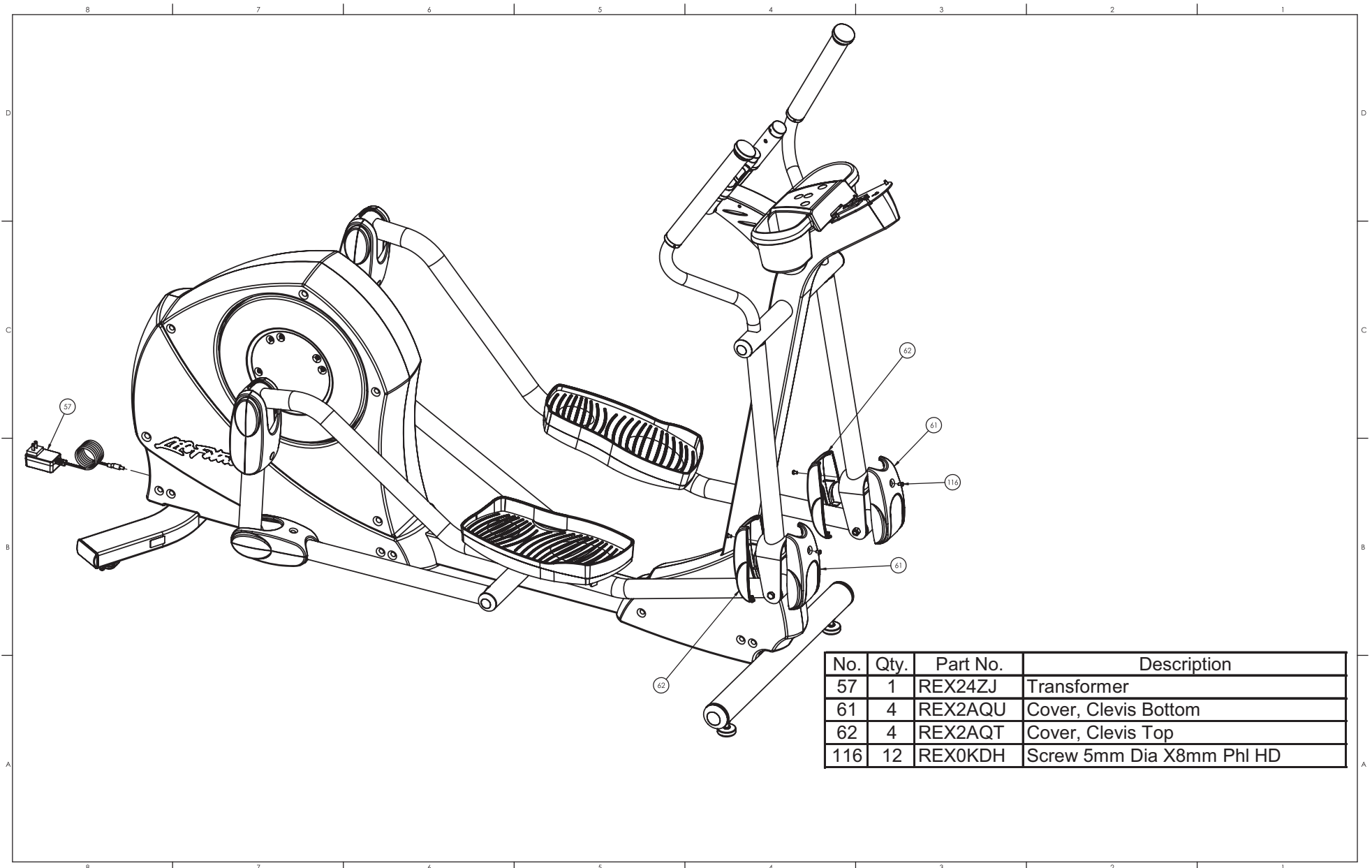


NOTE: OPPOSITE SIDE DONE SAME WAY.

No.	Qty.	Part No.	Description
4	5	REX0JEJ	Ring, Retaining 63/64
7	4	REX219H	Cap End, BLK
10	4	REX21B8	Bolt, Hex HD M10X1.5-20
15	4	REX0J9C	Washer, Spring 10mm ID
20	2	REX22B3	Washer .26X35-.8
21	2	REX0JBD	Washer, Wave BMW6001
22	2	REX22B4	Washer, Spring 10mmX35-2
25	10	REX22RR	Nut, Nylock M10X1.5-8
53	4	REX21BA	Bolt, Hex HD M10X1.5-81.5
86	8	REX0JZB	M4 .7 HXS NO Cup ST BO
87	2	REX2H7R	Cap Grip
88	4	REX219V	Bearing Sleeve
89	1	REX2AWM	Assy, Rocker, RH
90	2	REX2AZA	Ring, Grip
91	2	REX2AV4	Grip, User Arm
92	1	REX2AWP	Assy, Rocker, LH



No.	Qty.	Part No.	Description
54	2	REX0K71	Screw, 8mm Seat Post
106	4	0017-00101-1621	10-16X8 Phl. Pan
107	1	REX0JAG	Washer, Lock EXT. Tooth
108	1	REX0KFE	Screw Ground.
109	1	8044501	ASSY, EZ User Pod
901	1	REX2G7S	Console Cable



No.	Qty.	Part No.	Description
57	1	REX24ZJ	Transformer
61	4	REX2AQU	Cover, Clevis Bottom
62	4	REX2AQT	Cover, Clevis Top
116	12	REX0KDH	Screw 5mm Dia X8mm Phi HD